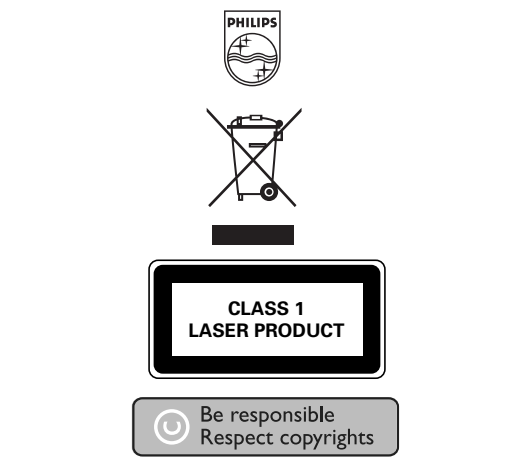


user manual / utilisation manual / manual del usuario / Manual do usuário



PHILIPS



Specifications are subject to change without notice. Trademarks are the property of Koninklijke Philips Electronics N.V. or their respective owners.

Printed in China WK8063

English CONTROLS / POWER SUPPLY

- CONTROLS (see figure 1) 1 PH... switches the player on, starts or pauses CD playback...

POWER SUPPLY / GENERAL INFORMATION

- Mains adapter (not included) Use only the AY 3162 adapter (4.5 V / 450 mA) direct current...

GENERAL INFORMATION / CD PLAY

- In-car use (not included) Only use the AY 2545 (4822 219 10033) or AY 3548 (3140 118 17898) car voltage converter...

CD PLAY / FEATURES

- Playback information If a CD-Recordable (CD-R) or a CD-ReWritable (CD-RW) is not recorded properly...

FEATURES

- Programming track numbers You can store up to 30 tracks to play in a program. A single track may be stored more than once in the program.

FEATURES / TROUBLESHOOTING

- RESUME and HOLD You can interrupt playback and continue (even after an extended period) from the position where playback stopped (RESUME) and you can lock all buttons of the set so that no action will be executed (HOLD).

Batteries (not included)

- You can use the following batteries with this CD-player: • normal batteries type LR6, UM3 or AA (preferably Philips)...

CD player and CD handling

- Do not touch the lens (A) of the CD player. Do not expose the unit, batteries or CDs to humidity, rain, sand or excessive heat (used by heating equipment or direct sunlight).

Playing a CD

- This CD-player can play all kinds of Audio Discs such as CD-Recordables and CD-ReWritable. Do not try to play a CD-ROM, CD, VCD, DVD or computer CD.

Selecting a track and searching

- Selecting a track during playback Briefly press << or >> once or several times to skip to the current, previous or next track.

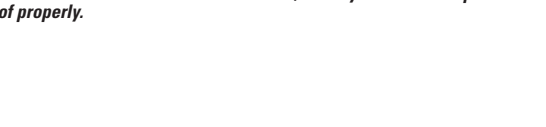
Selecting different playing possibilities-MODE

- It is possible to play tracks in random order, to repeat a single track or the entire CD, and to play the first few seconds of each track.

Troubleshooting

- WARNING: Under no circumstances should you try to repair the set yourself as this will invalidate the warranty. If a fault occurs, first check the points listed, before taking the unit for repair.

Batteries contain chemical substances, so they should be disposed of properly.



FRANÇAIS COMMANDES / ALIMENTATION ELECTRIQUE

- COMMANDES (voir figure 1) 1 PH... allume le lecteur, démarre ou interrompt la lecture CD...

ALIMENTATION ELECTRIQUE / INFORMATIONS GENERALES

- Bloc d'alimentation (non fournis) N'utilisez que le bloc d'alimentation AY 3162 (4.5 V / 450 mA) courant continu, tension positive sur la borne centrale.

INFORMATIONS GENERALES / LECTURE CD

- Utilisation en voiture (non fournis) N'utilisez que le convertisseur de tension pour autoradio AY 2545 (4822 219 10033) ou AY 3548 (3140 118 17898) (4.5 V courant continu, pôle positif sur la broche centrale) et la cassette-adaptatrice pour autoradio AY 3501.

LECTURE CD / CARACTERISTIQUES

- Informations relatives à la lecture Si un CD enregistrable (CD-R) ou réenregistrable (CD-RW) n'est pas enregistré correctement, l'indication 'F d'ISC' est affichée.

CARACTERISTIQUES

- Programation des numéros de pistes Vous pouvez enregistrer jusqu'à 30 pistes dans un programme. Une piste peut être enregistrée plusieurs fois.

CARACTERISTIQUES/PANNES ET REMEDES

- RESUME et HOLD Vous pouvez interrompre la lecture et la reprendre (même après une longue pause) à l'endroit où elle a été arrêtée (RESUME) et vous pouvez bloquer tous les boutons de l'appareil afin d'empêcher toute action (HOLD).

QUICK START MISE EN SERVICE RAPIDE

- 1 OPEN 2 PH 3 << 4 >> 5 HOLD - OFF 6 PLAY PH 7 VOL +/-

Piles (non fournies)

- Avec ce lecteur, vous pouvez utiliser : • des piles normales du type LR6, UM3 ou AA (de préférence Philips), ou • des piles alcalines du type LR6, UM3 ou AA (de préférence Philips).

Lecteur de CD et manipulation des CD

- Ne touchez jamais la lentille (A) du lecteur de CD. N'exposez jamais l'appareil, les piles ou les CD à l'humidité, à la pluie ou à une chaleur excessive.

Lecture d'un CD

- Ce lecteur CD peut lire tous les types de disques audio comme le CD enregistrables ou réenregistrables. N'essayez pas de lire un CD-ROM, un CD-i, un DVD, un DVD ou un CD d'ordinateur.

Sélection d'une piste et recherche

- Sélection d'une piste en cours de lecture Appuyez brièvement une ou plusieurs fois sur << ou >> pour aller au début de la piste en cours ou à la piste précédente ou suivante.

Sélection des différentes possibilités de lecture - MODE

- Il est possible de jouer les morceaux dans un ordre aléatoire, de répéter une piste ou d'écouter les premières secondes de chaque piste.

AUSTRALIA-Philips 3 years Manufacturers Warranty for Australia only

This warranty conditions are valid for the following consumer electronics products: Colour Televisions, Video Cassette Recorders, CD Players and Recorders, DVD Players and Recorders, Audio Systems and Portable Audio. The benefits given to the purchaser by this warranty are in addition to all other rights and remedies which the purchaser has in respect of the product under the Trade Practices Act or other Commonwealth or State Law.

NEW ZEALAND-Guarantee and Service for New Zealand

Thank-you for purchasing this quality Philips product. Philips New Zealand Ltd guarantees this product against defective components and faulty workmanship for a period of 12 months. Any defect in materials or workmanship occurring within 12 months from the date of purchase subject to the following conditions will be rectified free of charge by the retailer from whom this product was purchased.

How to claim

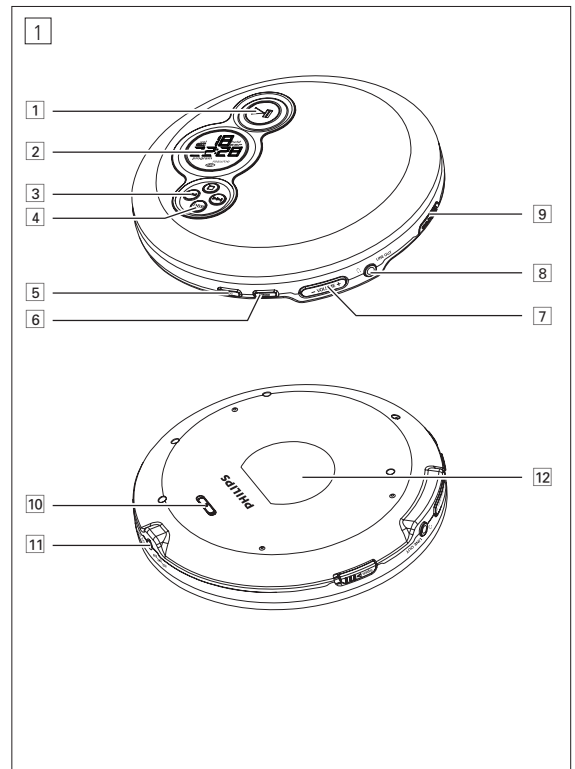
Show your Philips product fail within the guarantee period, please return it to the retailer from whom it was purchased. In most cases the retailer will be able to satisfactorily repair or replace the product.

PHILIPS POLIZA DE GARANTIA

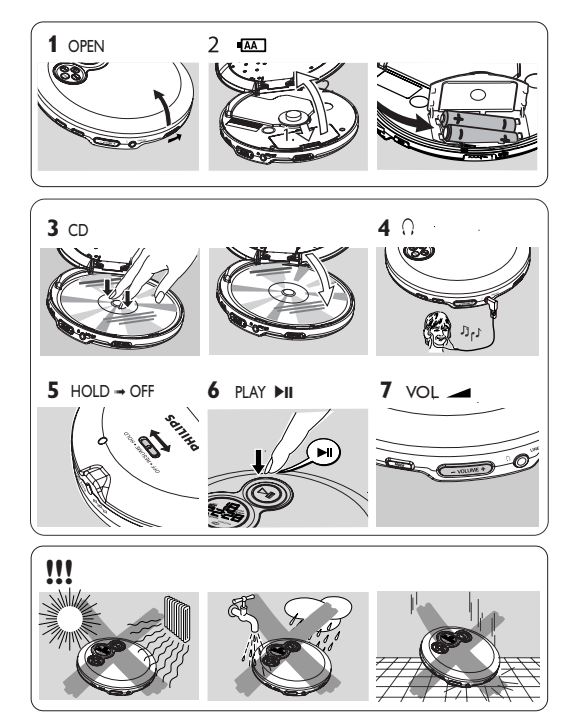
Este aparato ha sido cuidadosamente diseñado y ha sido fabricado con los mejores materiales bajo un estricto control de calidad, garantizando su buen funcionamiento por los períodos establecidos según el apartado correspondiente de esta política de garantía. Sin embargo, no podemos garantizar el funcionamiento de este aparato en condiciones de uso que excedan las especificaciones técnicas.

PHILIPS MEXICANA, S.A. DE C.V.

Table with columns: Modelo, Marca, Tipo, Capacidad, Voltaje, etc. for various Philips products.



ENCENDIDO RAPIDO GUIA RAPIDO



COPYRIGHT INFORMATION

The making of unauthorized copies of copy-protected material, including computer programmes, files, broadcasts and sound recordings, may be an infringement of copyrights and constitute a criminal offence.

DISPOSAL OF YOUR OLD PRODUCT

Your product is designed and manufactured with high quality materials and components, which can be recycled and reused. When this crossed-out wheeled bin symbol is attached to a product it means the product is covered by the European Directive 2002/96/EC.

INFORMATION SUR LE DROIT D'AUTEUR

Toute copie d'une oeuvre protégée par un droit d'auteur, ce incluant les programmes informatiques, les enregistrements d'images et de sons, peut être une contrefaçon d'un droit d'auteur et constituer un délit. Cet appareil ne doit pas être utilisé à cet effet.

MISE AU REBUT DE VOTRE ANCIEN PRODUIT

Le symbole de poubelle barrée sur un produit indique que ce dernier est conforme à la directive européenne 2002/96/CE. Veuillez vous renseigner sur les systèmes locaux de collecte des produits électriques ou électroniques. Veillez à respecter les réglementations locales; ne mettez pas au rebut vos anciens produits comme des déchets ménagers.

Spanish section: Spanish title, controls, and detailed instructions for using the car stereo, including volume and source selection.

Portuguese section: Portuguese title, controls, and detailed instructions for using the car stereo, including volume and source selection.

Portuguese section: Portuguese title, controls, and detailed instructions for using the car stereo, including volume and source selection.

Portuguese section: Portuguese title, controls, and detailed instructions for using the car stereo, including volume and source selection.

Portuguese section: Portuguese title, controls, and detailed instructions for using the car stereo, including volume and source selection.

Portuguese section: Portuguese title, controls, and detailed instructions for using the car stereo, including volume and source selection.

Portuguese section: Portuguese title, controls, and detailed instructions for using the car stereo, including volume and source selection.

Portuguese section: Portuguese title, controls, and detailed instructions for using the car stereo, including volume and source selection.

Portuguese section: Portuguese title, controls, and detailed instructions for using the car stereo, including volume and source selection.

Portuguese section: Portuguese title, controls, and detailed instructions for using the car stereo, including volume and source selection.

Portuguese section: Portuguese title, controls, and detailed instructions for using the car stereo, including volume and source selection.

Portuguese section: Portuguese title, controls, and detailed instructions for using the car stereo, including volume and source selection.

Portuguese section: Portuguese title, controls, and detailed instructions for using the car stereo, including volume and source selection.

Portuguese section: Portuguese title, controls, and detailed instructions for using the car stereo, including volume and source selection.

Portuguese section: Portuguese title, controls, and detailed instructions for using the car stereo, including volume and source selection.

Portuguese section: Portuguese title, controls, and detailed instructions for using the car stereo, including volume and source selection.

Portuguese section: Portuguese title, controls, and detailed instructions for using the car stereo, including volume and source selection.

Portuguese section: Portuguese title, controls, and detailed instructions for using the car stereo, including volume and source selection.

Portuguese section: Portuguese title, controls, and detailed instructions for using the car stereo, including volume and source selection.

Portuguese section: Portuguese title, controls, and detailed instructions for using the car stereo, including volume and source selection.

Portuguese section: Portuguese title, controls, and detailed instructions for using the car stereo, including volume and source selection.

Portuguese section: Portuguese title, controls, and detailed instructions for using the car stereo, including volume and source selection.

Portuguese section: Portuguese title, controls, and detailed instructions for using the car stereo, including volume and source selection.

Portuguese section: Portuguese title, controls, and detailed instructions for using the car stereo, including volume and source selection.

Portuguese section: Portuguese title, controls, and detailed instructions for using the car stereo, including volume and source selection.

Portuguese section: Portuguese title, controls, and detailed instructions for using the car stereo, including volume and source selection.

Portuguese section: Portuguese title, controls, and detailed instructions for using the car stereo, including volume and source selection.

Portuguese section: Portuguese title, controls, and detailed instructions for using the car stereo, including volume and source selection.

Portuguese section: Portuguese title, controls, and detailed instructions for using the car stereo, including volume and source selection.

Portuguese section: Portuguese title, controls, and detailed instructions for using the car stereo, including volume and source selection.

Portuguese section: Portuguese title, controls, and detailed instructions for using the car stereo, including volume and source selection.

Portuguese section: Portuguese title, controls, and detailed instructions for using the car stereo, including volume and source selection.

México section: Precaución-Advertencia, Atención, and Reproductor portátil CD specifications.

México section: Información de Copyright, Decho del producto antiguo, and Eliminação do seu antigo produto.

México section: Certificado de garantía para Brasil (Os dados deste manual estão sujeitos a alterações).

México section: Información de Copyright, Decho del producto antiguo, and Eliminação do seu antigo produto.

Aviso importante section: Philips Mexicana, S.A. de C.V. no se hace responsable por daños o desperfectos causados por maltrato, descuido o mal uso.

Aviso importante section: Philips Mexicana, S.A. de C.V. no se hace responsable por daños o desperfectos causados por maltrato, descuido o mal uso.

Aviso importante section: Philips Mexicana, S.A. de C.V. no se hace responsable por daños o desperfectos causados por maltrato, descuido o mal uso.

Aviso importante section: Philips Mexicana, S.A. de C.V. no se hace responsable por daños o desperfectos causados por maltrato, descuido o mal uso.